

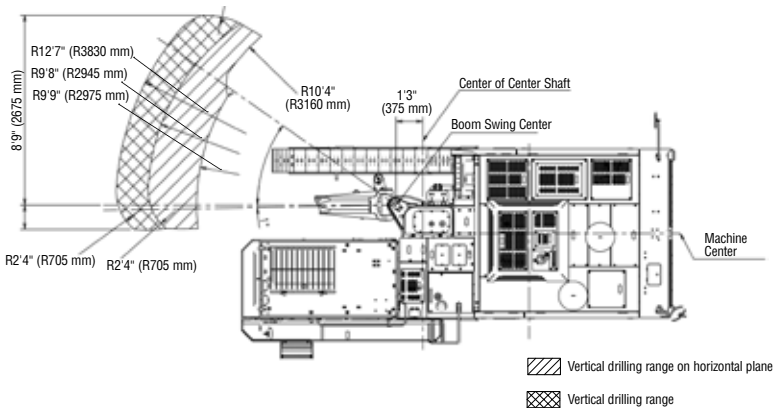
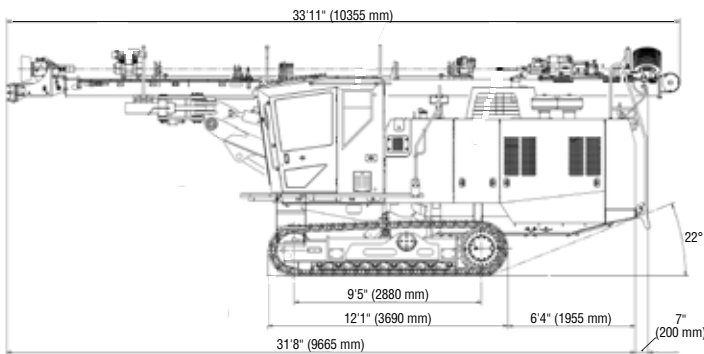
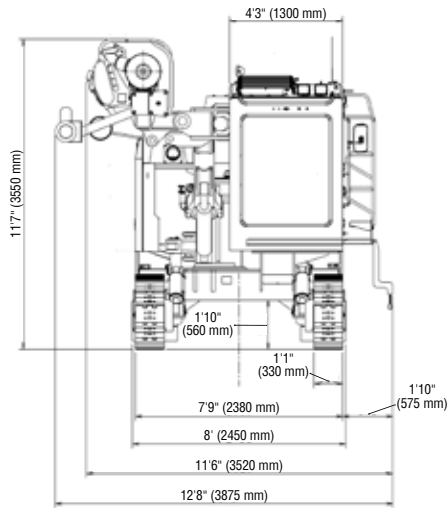
Longer Rods Mean Less Rod Changing

HCR1800-D20II With HD828

The HCR 1800-D20 is equipped with longer guide shell to accommodate a longer starter rod. As a result, you'll have less rod changing time, faster drilling and a lower overall cost per hole.

- Longer guide shell accommodates a 20' starter rod
- Field proven rod changer holds four 20' extension rods
- Travelling centralizer keeps rod from warping
- Equipped with the newly developed HD828 drifter, offering a blow range of 2700-3300 bpm
- High-efficiency 477 cfm air compressor, capable of cleaning up to a 5" hole diameter
- Ergonomically designed wide cabin offers comfortable work environment





Note:
 *1 "Overall Weight (A)" includes weights of fuel and oils (full).
 *2 "Overall Weight (B)" includes weight of "Overall Weight (A)", operator, rod and bit.
 *3 "Ground Contact Pressure" is calculated based on "Overall Weight (A)".

CAT is a registered trademark of Caterpillar, Inc.
 AIRMAN is a registered trademark of HOKUETSU INDUSTRIES CO., LTD.

Furukawa's policy is one of continual improvement. Specifications may change between printing.



FURUKAWA ROCK DRILL USA

Rock Drill Division

805 Lake Street
 Kent, Ohio 44240-0017
 Phone: 800.358.4476
 Fax: 330.673.8504
www.furukawarockdrill.com



HCR1800-D20		US Standard	Metric	
Dimensions and Weight	Overall Weight (A) *1	45,062 lb	20,440 kg	
	Overall Weight (B) *2	46,253 lb	20,980 kg	
	Overall Length	33'12"	10,355 mm	
	Shipping Length	36'11"	11,245 mm	
	Overall Width	12'9"	3,875 mm	
	Shipping Width	8'1"	2,465 mm	
	Overall Height	11'8"	3,550 mm	
	Shipping Height	10'11"	3,325 mm	
Drifter	Model	HD828		
	Weight	597 lb	271 kg	
	Length	3'9"	1,148 mm	
	Width	1'3"	387 mm	
	Height	1'1"	328 mm	
	Number of Blows	2,700 - 3,300 bpm		
Undercarriage	Rotating Speed	0 - 190 rpm	0 - 190 min ⁻¹	
	Track Length	12'1"	3,690 mm	
	Track Length on Ground	9'5"	2,880 mm	
	Track Width	1'1"	330 mm	
	Ground Contact Pressure *3	15.3 psi	105.4 kPa	
	Ground Clearance	1'10"	560 mm	
	Frame Oscillation Angle	±7.5°		
	Tramming Speed	0 - 2.2 mph	0 - 3.5 km/h	
	Gradeability	57.4% (30°)		
	Maximum Traction Force	28,551 lb-force	127 kN	
	Engine	Make & Model	CAT® C9.3 (Tier4 Final, Stage IV)	
		Type	Diesel, Water-Cooled, 6 Cylinders	
Piston Displacement		567 cu in	9.3 L	
Power Output		350 hp / 2,200 rpm	261 kW / 2,200 min ⁻¹	
Fuel Capacity		158.5 gal	600 L	
DEF Capacity		9.0 gal	34 L	
Hydraulic Equipment	Variable Displacement Pump	Axial Piston Pump x2		
	Fixed Displacement Pump	Gear Pump x3		
	Drive Motor	Hydraulic Motor with Reduction Gear		
	Hydraulic Oil Reservoir Capacity	63.4 gal	240 L	
Boom	Model	JF325-142		
	Type	Fixed		
	Boom Lift Angle (Up / Down)	40° / 25°		
	Boom Swing Angle (Right / Left)	35° / 1°		
	Guide Rotary Angle	90°		
	Guide Shell	Model	GH830-52	
Overall Length		33'12"	10,355 mm	
Feed Length		22'6"	6,860 mm	
Feed Type		Hydraulic Motor Driven Chain		
Guide Slide Length		4'11"	1,500 mm	
Guide Swing Angle (Right / Left)		25° / 90°		
Guide Tilt Angle		170°		
Maximum Pulling Force	6,969 lb-force	31 kN		
Compressor	Make & Model	AIRMAN PDSF290-S16		
	Type	1-Stage Screw Compressor		
	Discharge Airflow	477 cfm	13.5 m ³ /min	
	Discharge Pressure	149 psi	1.03 MPa	
Dust Collector	Model	A885-44		
	Suction Capacity	1,413 cfm	40 m ³ /min	
	Number of Filter Elements	6		
	Dust Removal System	Automatic Air Pulse Jet		
Rod Changer	Suction Cap			
	Model	GR801-52		
	Number of Rods	4		
Bit and Rod	Rod Diameter	2"	51 mm	
	Number of Control Levers	1		
	Bit Range	3.5" - 5"	89 - 127 mm	
	Rod Type	T51 / ST58		
Electrics	Rod Length	20'	6,100 mm	
	Starter Rod Length	20'	6,100 mm	
	Battery	12V; 160Ah/5hr x2		
Operating Environment	Light	24V; 70W x4		
	Voltage	DC 24V		
Operating Environment	Working Temperature	5° - 113° F	-15° - 45° C	
	Maximum Altitude	8,202'	2,500 m	