

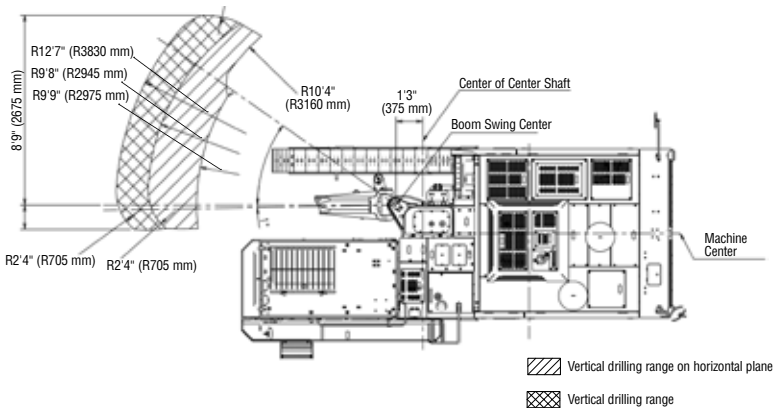
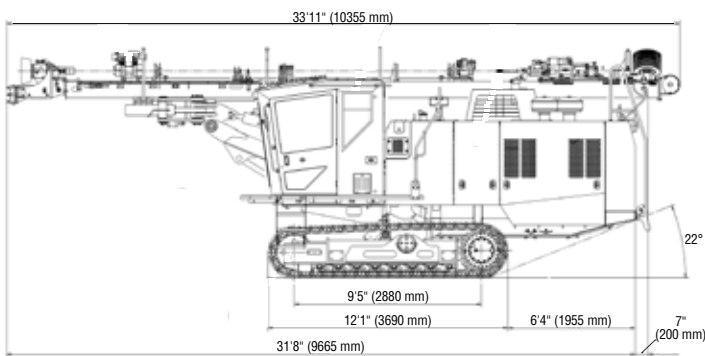
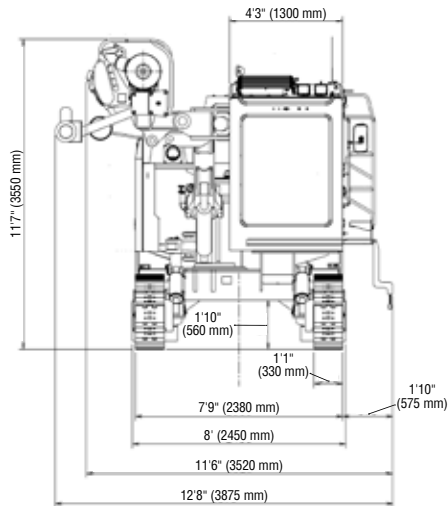
Longer Rods Mean Less Rod Changing

HCR1800-D20II With HD828

The HCR 1800-D20 is equipped with longer guide shell to accommodate a longer starter rod. As a result, you'll have less rod changing time, faster drilling and a lower overall cost per hole.

- Longer guide shell accommodates a 20' starter rod
- Field proven rod changer holds four 20' extension rods
- Travelling centralizer keeps rod from warping
- Equipped with the newly developed HD828 drifter, offering a blow range of 2700-3300 bpm
- High-efficiency 477 cfm air compressor, capable of cleaning up to a 5" hole diameter
- Ergonomically designed wide cabin offers comfortable work environment





Note:
 *1 "Overall Weight (A)" includes weights of fuel and oils (full).
 *2 "Overall Weight (B)" includes weight of "Overall Weight (A)", operator, rod and bit.
 *3 "Ground Contact Pressure" is calculated based on "Overall Weight (A)".

CAT is a registered trademark of Caterpillar, Inc.
 AIRMAN is a registered trademark of HOKUETSU INDUSTRIES CO., LTD.

Furukawa's policy is one of continual improvement. Specifications may change between printing.



FURUKAWA ROCK DRILL USA

Rock Drill Division

805 Lake Street
 Kent, Ohio 44240-0017
 Phone: 800.358.4476
 Fax: 330.673.8504
www.furukawarockdrill.com



HCR1800-D20		US Standard	Metric
Dimensions and Weight	Overall Weight (A) *1	45,062 lb	20,440 kg
	Overall Weight (B) *2	46,253 lb	20,980 kg
	Overall Length	33'12"	10,355 mm
	Shipping Length	36'11"	11,245 mm
	Overall Width	12'9"	3,875 mm
	Shipping Width	8'1"	2,465 mm
	Overall Height	11'8"	3,550 mm
	Shipping Height	10'11"	3,325 mm
Drifter	Model	HD828	
	Weight	597 lb	271 kg
	Length	3'9"	1,148 mm
	Width	1'3"	387 mm
	Height	1'1"	328 mm
	Number of Blows	2,700 - 3,300 bpm	
Undercarriage	Rotating Speed	0 - 190 rpm	0 - 190 min ⁻¹
	Track Length	12'1"	3,690 mm
	Track Length on Ground	9'5"	2,880 mm
	Track Width	1'1"	330 mm
	Ground Contact Pressure *3	15.3 psi	105.4 kPa
	Ground Clearance	1'10"	560 mm
	Frame Oscillation Angle	±7.5°	
	Tramming Speed	0 - 2.2 mph	0 - 3.5 km/h
	Gradeability	57.4% (30°)	
	Maximum Traction Force	28,551 lb-force	127 kN
	Engine	Make & Model	CAT® C9.3 (Tier4 Final, Stage IV)
Type		Diesel, Water-Cooled, 6 Cylinders	
Piston Displacement		567 cu in	9.3 L
Power Output		350 hp / 2,200 rpm	261 kW / 2,200 min ⁻¹
Fuel Capacity		158.5 gal	600 L
DEF Capacity		9.0 gal	34 L
Hydraulic Equipment	Variable Displacement Pump	Axial Piston Pump x2	
	Fixed Displacement Pump	Gear Pump x3	
	Drive Motor	Hydraulic Motor with Reduction Gear	
	Hydraulic Oil Reservoir Capacity	63.4 gal	240 L
Boom	Model	JF325-142	
	Type	Fixed	
	Boom Lift Angle (Up / Down)	40° / 25°	
	Boom Swing Angle (Right / Left)	35° / 1°	
	Guide Rotary Angle	90°	
	Model	GH830-52	
Guide Shell	Overall Length	33'12"	10,355 mm
	Feed Length	22'6"	6,860 mm
	Feed Type	Hydraulic Motor Driven Chain	
	Guide Slide Length	4'11"	1,500 mm
	Guide Swing Angle (Right / Left)	25° / 90°	
	Guide Tilt Angle	170°	
Maximum Pulling Force	6,969 lb-force	31 kN	
Compressor	Make & Model	AIRMAN PDSF290-S16	
	Type	1-Stage Screw Compressor	
	Discharge Airflow	477 cfm	13.5 m ³ /min
	Discharge Pressure	149 psi	1.03 MPa
Dust Collector	Model	A885-44	
	Suction Capacity	1,413 cfm	40 m ³ /min
	Number of Filter Elements	6	
	Dust Removal System	Automatic Air Pulse Jet	
Rod Changer	Suction Cap		
	Model	GR801-52	
	Number of Rods	4	
Bit and Rod	Rod Diameter	2"	51 mm
	Number of Control Levers	1	
	Bit Range	3.5' - 5'	89 - 127 mm
Electrics	Rod Type	T51	
	Rod Length	20'	6,100 mm
	Starter Rod Length	20'	6,100 mm
	Battery	12V; 160Ah/5hr x2	
Operating Environment	Light	24V; 70W x4	
	Voltage	DC 24V	
Operating Environment	Working Temperature	5° - 113° F	-15° - 45° C
	Maximum Altitude	8,202'	2,500 m